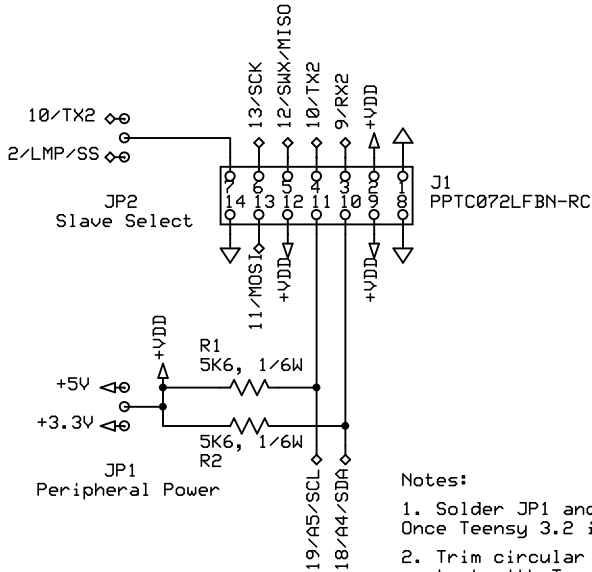


350-80-116-00-006101
350-80-116-00-006101



- Notes:
1. Solder JP1 and JP2 jumpers from back side of board! Once Teensy 3.2 is installed, top side is not accessible.
 2. Trim circular pin header pins as necessary to prevent contact with Teensy 3.3 board..
 3. Do not trim square pins extending from top of Teensy, they are useful access for debug or wire connections.
 4. A10 on Teensy has pin installed, but not used.
 5. J1 connector on Talon-AVR board uses Serial2. Set JP1 to 5V or 3.3V, as required. Most ESP8266 WiFi modules are 3.3V unless spec'd otherwise.

Falcon-AVR with Talon-AVR pin definitions:

```

const byte AM1 = 23, AM2 = 22, BM1 = 21, BM2 = 20;
const byte TX = 1, RX = 0;
const byte PSNA = 14, PSNB = 15, PSNC = 16, SPD = 17;
const byte OC1IN = 18, OC2IN = 19;
const byte OC1OUT = 3, OC2OUT = 4;
const byte AX1 = 5, AX2 = 6, BX1 = 7, BX2 = 8;
const byte SWX = 12, LMP = 2;

```